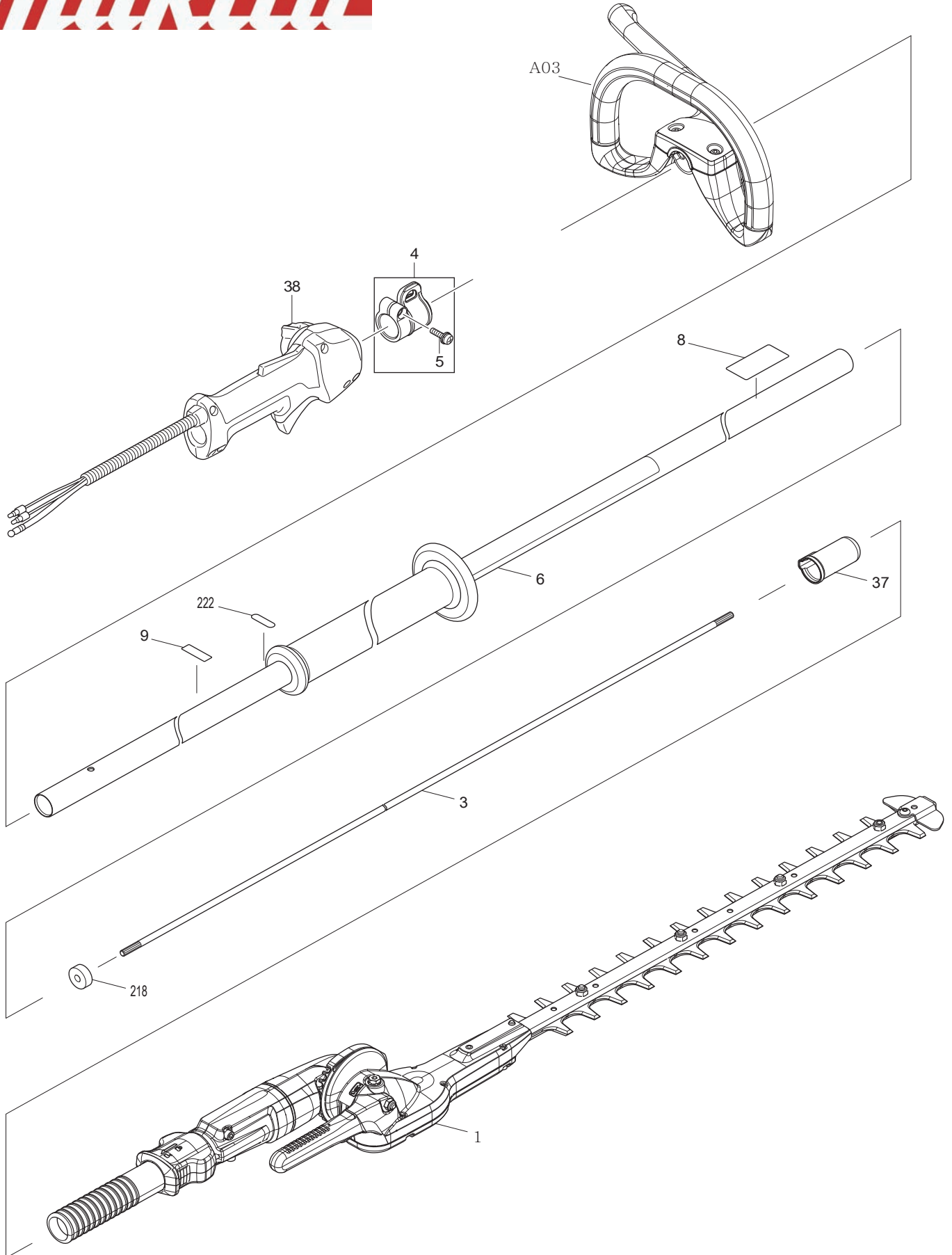
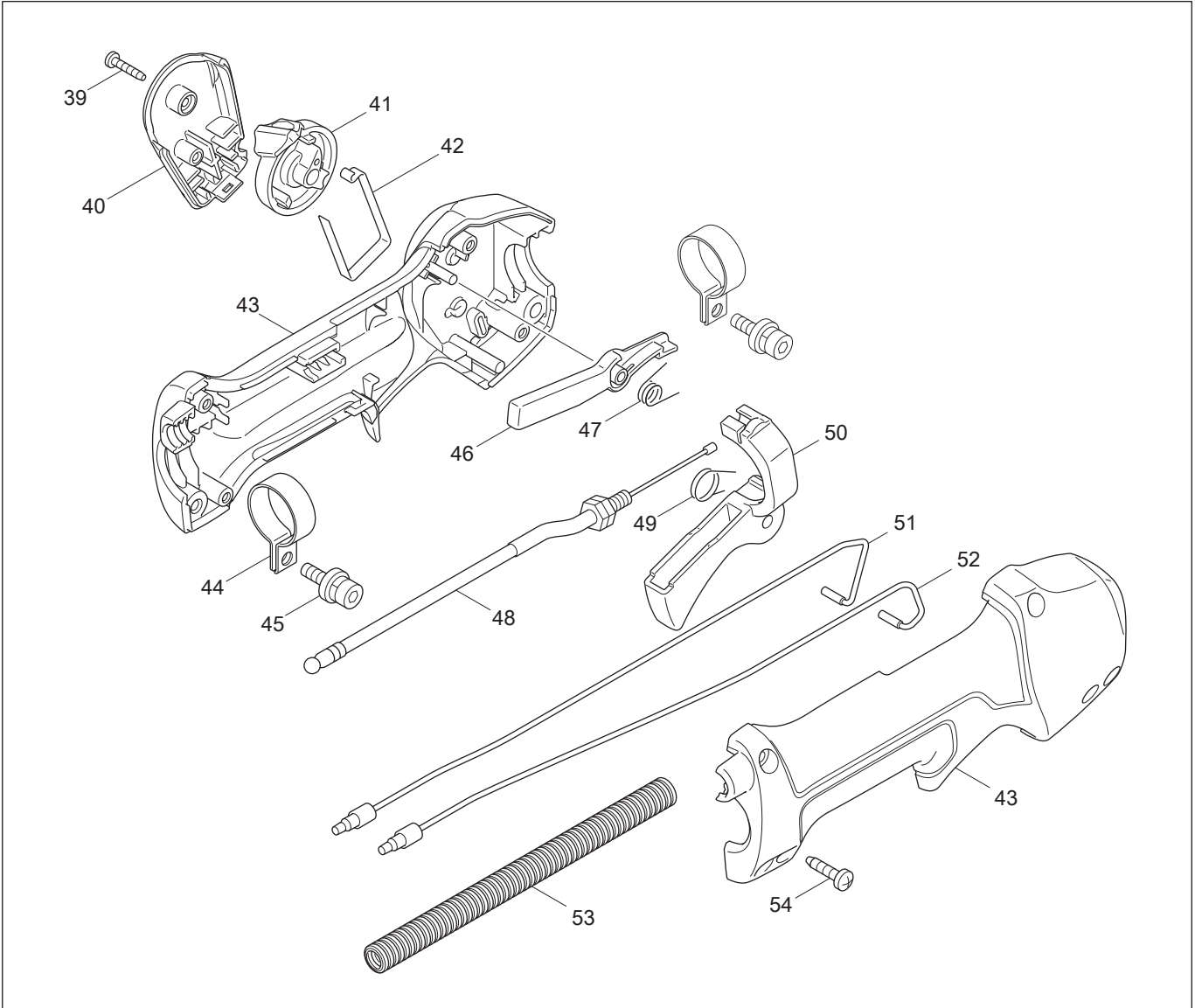


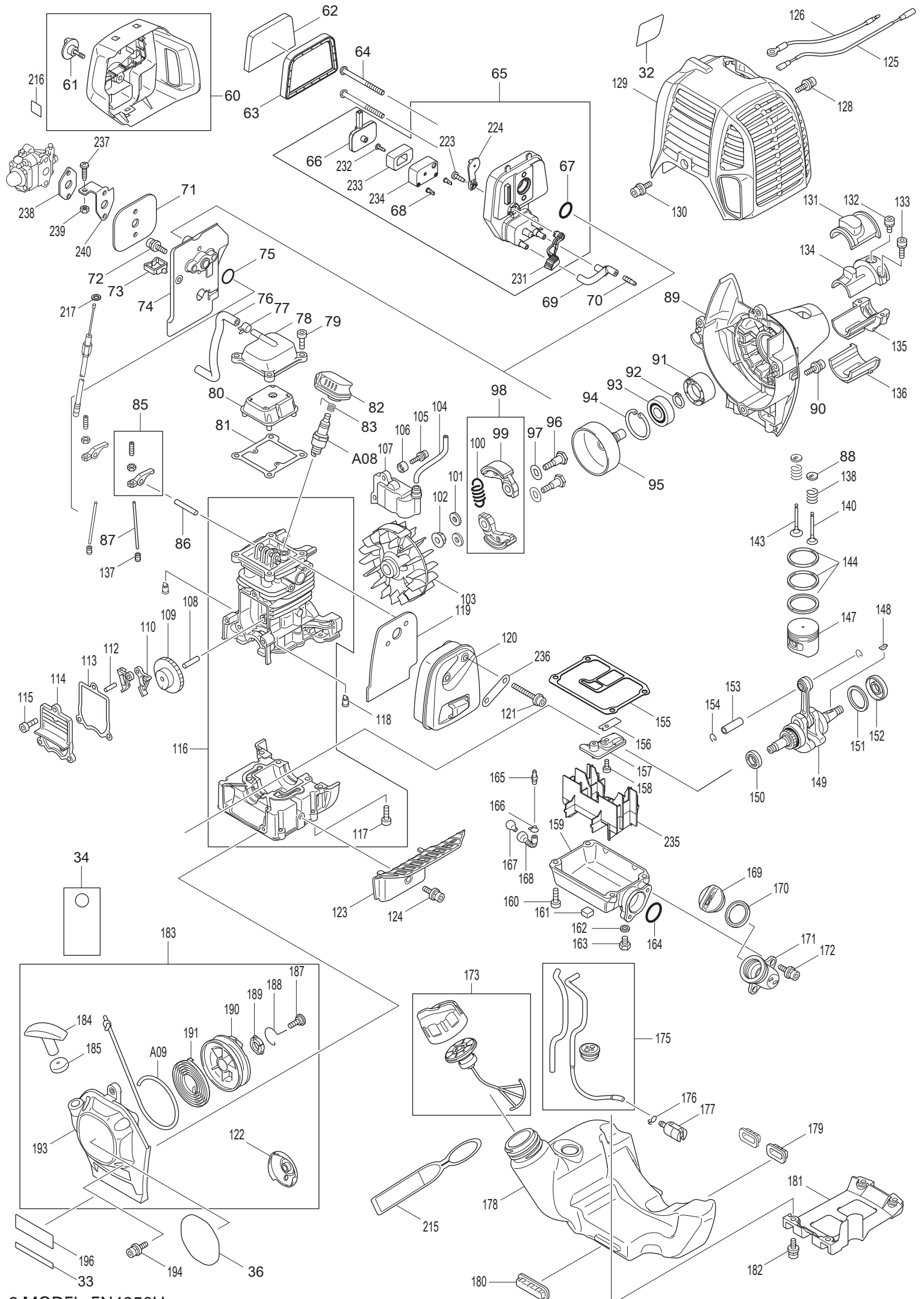


12 - 2013
EN4950H
25.4CC POLE HEDGE TRIMMER

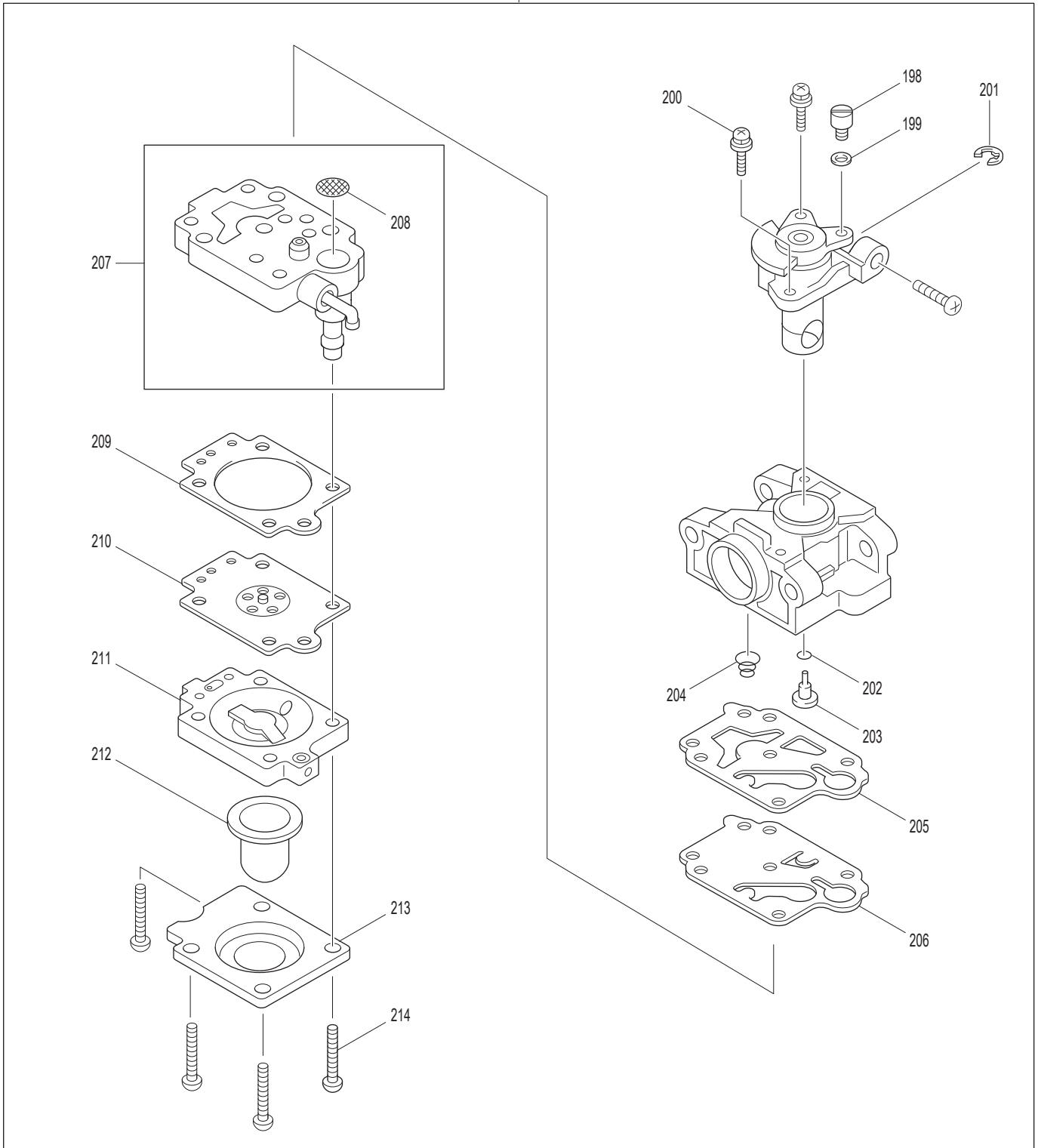


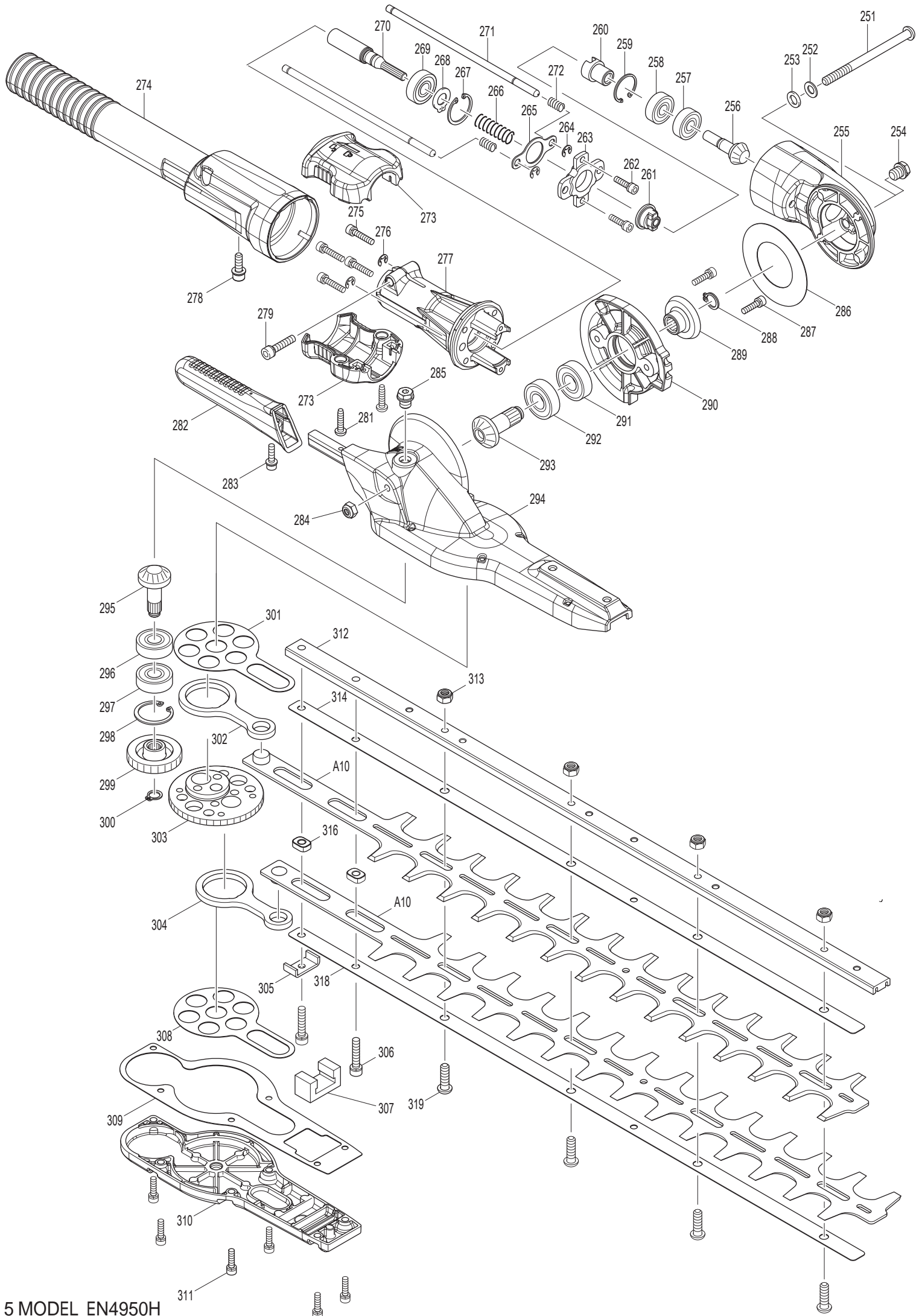


38



3 MODEL EN4950H





5 MODEL EN4950H

Item No	Type	Sub	Part No	Description	Qty	Unit
001	1		126303-5	HEDGE TRIMMER HEAD ASS'Y	1	PC.
		INC.		Item No. 251 -317, 319, A10	1	PC.
	4		135784-2	HEDGE TRIMMER HEAD ASS'Y	1	PC.
		INC.		Item No. 251 -317, 319, A10	1	PC.
003	2		327056-1	SHAFT	1	PC.
004			195143-2	HANGER SET	1	PC.
		INC.		Item. 5		
005			911233-1	PAN HEAD SCREW M5X20	1	PC.
006	1		142034-8	PIPE COMPLETE	1	PC.
		INC.	801E20-5	CAUTION LABEL	1	PC.
	2		143933-7	PIPE COMPLETE	1	PC.
		INC.	801E20-5	CAUTION LABEL	1	PC.
008			893670-0	MAKITA LOGO LABEL	1	PC.
009			814E64-6	SERIAL NO. LABEL	1	PC.
033			816567-6	SERIAL NO. LABEL	1	PC.
034			819432-8	CAUTION TAG (10 LANGUAGES)	1	PC.
036			801B73-6	MODEL NO. LABEL F/EN4950H	1	PC.
037			424434-7	CAP 24	1	PC.
038	2		126488-7	CONTROL LEVER ASSEMBLY	1	PC.
		INC.		Item. 39-54		
039			266130-9	TAPPING SCREW BIND PT 3X16	1	PC.
040			451595-0	SWITCH COVER	1	PC.
041			451594-2	SWITCH LEVER	1	PC.
042			232251-9	LEAF SPRING	1	PC.
043			188832-6	LEVER CASE SET	1	SET
		INC.		Item. 55		
044			346248-3	CLAMP 24	2	PC.
045			922218-2	H.S.H.BOLT M5X14 WITH WR	2	PC.
046			451593-4	LOCK LEVER	1	PC.
047			233541-3	TORSION SPRING 7	1	PC.
048			168571-4	CONTROL CABLE	1	PC.
049			233540-5	TORSION SPRING 11	1	PC.
050	2		455313-8	* THROTTLE LEVER	1	PC.
051			638714-7	LEAD UNIT	1	PC.
052			638713-9	LEAD UNIT	1	PC.
053			452071-7	CORRUGATE TUBE	1	PC.
054			266326-2	TAPPING SCREW 4X18	4	PC.
060	2		123499-3	* CLEANER COVER ASSEMBLY	1	PC.
		INC.		* Item. 61		
061			265791-2	THUMB SCREW M4	1	PC.
062			443171-4	AIR CLEANER ELEMENT	1	PC.
063			443169-1	AIR CLEANER ELEMENT	1	PC.
064			266871-7	H.S.BUTTON HEAD BOLT M5X60	2	PC.
065	2		123501-2	* CLEANER PLATE ASSEMBLY	1	PC.
		INC.		* Item. 66-68,223,224,231-234		
066			162346-3	SEPARATOR PLATE	1	PC.
067			213540-1	O RING 15	1	PC.
068			424316-3	CHECK VALVE	2	PC.
069			422099-9	PIPE	1	PC.
070			325665-0	JOINT PIPE	1	PC.
071			442153-3	CARBURETOR GASKET	1	PC.
072			266787-6	H.S.H.BOLT M5X18 WITH WR	2	PC.
073			451825-9	CLAMP	1	PC.
074			451729-5	INSULATOR	1	PC.

Item No	Type	Sub	Part No	Description	Qty	Unit
075			213547-7	O-RING 12	1	PC.
076			422109-2	BREATHER PIPE	1	PC.
077			345918-1	HOSE CLAMP	1	PC.
078			318745-9	ROCKER COVER OUTER	1	PC.
079			922222-1	HEX. SOCKET HEAD BOLT M5X16	4	PC.
080			453860-3	ROCKER COVER INNER	1	PC.
081			162304-9	ROCKER COVER GASKET	1	PC.
082			424302-4	PLUG CAP	1	PC.
083			324891-8	PLUG CAP SPRING	1	PC.
085			125554-7	ROCKER ARM ASSEMBLY	2	PC.
086			256200-2	PIN 5	1	PC.
087			256865-0	ROD 2.5	2	PC.
088			325668-4	SPRING RETAINER	2	PC.
089			451735-0	CLUTCH CASE	1	PC.
090			922228-9	H.S.H.BOLT M5X18 WITH WR	3	PC.
091			450569-8	SPACER	1	PC.
092			961052-5	RETAINING RING S-12	1	PC.
093			210111-5	BALL BEARING 6201LLU	1	PC.
094			962151-6	RETAINING RING R-32	1	PC.
095	2		161588-6	CLUTCH DRUM COM.	1	PC.
096			266864-4	SHOULDER HEX. BOLT M6X25	2	PC.
097			267817-6	WASHER 8	2	PC.
098			126135-0	CLUTCH ASSEMBLY	1	PC.
		INC.		Item. 99, 100		
099	2		161332-1	CLUTCH SHOE	2	PC.
100			231881-3	TENSION SPRING 7	1	PC.
101			267812-6	WASHER 6	2	PC.
102			264039-9	CONED DISK SPRING HEXNUT M8X13	1	PC.
103			318569-3	FLYWHEEL	1	PC.
104			444021-6	TUBE	1	PC.
105			266602-4	HEX. SOCKET HEAD BOLT M4X20	2	PC.
106			452049-0	SPACER	2	PC.
107			168559-4	IGNITION COIL	1	PC.
108			268238-5	PIN 5	1	PC.
109			125552-1	CAM GEAR ASSEMBLY	1	PC.
110			313169-4	CAM LIFTER	2	PC.
112			268239-3	PIN 4	1	PC.
113			162274-2	CAM GEAR COVER GASKET	1	PC.
114			318443-5	CAM GEAR COVER	1	PC.
115			922222-1	HEX. SOCKET HEAD BOLT M5X16	3	PC.
116			135478-9	CYLINDER BLOCK ASSEMBLY	1	PC.
		INC.		Item. 88, 117, 118		
117			922222-1	HEX. SOCKET HEAD BOLT M5X16	6	PC.
118			424201-0	CHECK VALVE	2	PC.
119			346331-6	MUFFLER GASKET	1	PC.
120			168554-4	EXHAUST MUFFLER	1	PC.
121			266440-4	HEX SOCKET HEAD BOLT M5X40	2	PC.
122			168483-1	PULLEY	1	PC.
123			451731-8	MUFFLER PLATE	1	PC.
124			922218-2	H.S.H.BOLT M5X14 WITH WR	1	PC.
125			638707-4	LEAD UNIT	1	PC.
126			638708-2	LEAD UNIT	1	PC.
128			922218-2	H.S.H.BOLT M5X14 WITH WR	1	PC.
129			453266-5	CYLINDER COVER	1	PC.

Item No	Type	Sub	Part No	Description	Qty	Unit
130			922218-2	H.S.H.BOLT M5X14 WITH WR	1	PC.
131			424082-2	BUFFER RUBBER	1	PC.
132			922211-6	HEX. SOCKET HEAD BOLT M5X12	1	PC.
133			922226-3	HEX. SOCKET HEAD BOLT M5X18	2	PC.
134			318249-1	PIPE HOLDER	1	PC.
135			318250-6	PIPE HOLDER	1	PC.
136			424083-0	BUFFER RUBBER	1	PC.
137			424200-2	SPACER	2	PC.
138			234108-0	COMPRESSION SPRING 9	2	PC.
140	2		326366-3	EXHAUST VALVE	1	PC.
143	2		326367-1	INTAKE VALVE	1	PC.
144			195145-8	PISTON RING SET	1	PC.
147			318441-9	PISTON	1	PC.
148			254040-2	WOODRUFF KEY 3	1	PC.
149	2		123774-7	CRANK SHAFT ASSEMBLY	1	PC.
		INC.		Item No. 150 - 152		
150	2		213769-9	OIL SEAL 10	1	PC.
151			267400-9	FLAT WASHER 23	1	PC.
152	2		213089-1	OIL SEAL 12	1	PC.
153			257781-9	PISTON PIN	1	PC.
154			233976-8	CLIP	2	PC.
155			162345-5	OIL CASE GASKET	1	PC.
156			346083-9	LEAD VALVE	1	PC.
157			318910-0	RETAINER PLATE	1	PC.
158			922112-8	HEX. SOCKET HEAD BOLT M4X10	1	PC.
159			318588-9	OIL CASE	1	PC.
160			922222-1	HEX. SOCKET HEAD BOLT M5X16	4	PC.
161			424344-8	DAMPER	1	PC.
162			346305-7	GASKET	1	PC.
163			266611-3	HEX BOLT M6X8	1	PC.
164			213548-5	O-RING 20	1	PC.
165			325665-0	JOINT PIPE	1	PC.
166			282020-8	* HOSE CLAMP (Type 2: A component of #125805-8)	1	PC.
167			325666-8	* OIL WEIGHT(Type 2: A component of #125805-8)	1	PC.
168	2		125805-8	* OIL TUBE ASSEMBLY	1	PC.
		INC.		* OIL TUBE	1	PC.
		INC.		* Item No. 166, 167		
169			452047-4	OIL CAP	1	PC.
170			424343-0	GASKET	1	PC.
171			452048-2	OIL PIPE	1	PC.
172			922218-2	H.S.H.BOLT M5X14 WITH WR	2	PC.
173			125728-0	FUEL TANK CAP ASSEMBLY	1	PC.
175			168775-8	TUBE COMPLETE	1	PC.
176	1		282020-8	HOSE CLAMP	1	PC.
	2		326650-6	SPACER	1	PC.
177			163518-3	GASOLINE FILTER	1	PC.
178	1		454010-3	* FUEL TANK	1	PC.
	2		123419-7	* FUEL TANK ASSEMBLY	1	PC.
		INC.		* Item No. 173, 175-177		
179			424080-6	BUFFER RUBBER	2	PC.
180			424081-4	BUFFER RUBBER	1	PC.
181			451737-6	TANK GUARD	1	PC.
182			922218-2	H.S.H.BOLT M5X14 WITH WR	4	PC.
183			195308-6	RECOIL STARTER SET	1	PC.

Item No	Type	Sub	Part No	Description	Qty	Unit
		INC.		Item. 122,184,185,187-191, A09, 193		
184			424319-7	STARTER KNOB	1	PC.
185			424359-5	DAMPER	1	PC.
187			266585-8	TAPPING SCREW 5X12	1	PC.
188			325923-4	SWING ARM	1	PC.
189			451938-6	COLLAR	1	PC.
190			451937-8	REEL	1	PC.
191			232258-5	SPIRAL SPRING	1	PC.
193			451733-4	STARTER CASE	1	PC.
194			922223-9	H.S.H.BOLT M5X16 WITH WR	4	PC.
197			168762-7	CARBURETOR	1	PC.
		INC.		Item. 198-207,209-214		
198			325922-6	SWIVEL	1	PC.
199			413140-9	WASHER	1	PC.
200	1		266581-6	PAN HEAD SCREW M3X8 WITH W	2	PC.
	2		WJ00096364	SCREW M3X8 WITH WASHER	2	PC.
201			257964-1	STOP RING E-3	1	PC.
202			213538-8	O RING 2	1	PC.
203			325985-2	JET	1	PC.
204			234183-6	CONICAL COMPRESSION SPRING 5-9	1	PC.
205			442155-9	PUMP GASKET	1	PC.
206	2		WJ00009599	PUMP DIAPHRAGM	1	PC.
207			141737-1	PUMP BODY	1	PC.
		INC.		Item. 208		
208			352021-1	INLET SCREEN	1	PC.
209			442154-1	METERING DIAPHRAGM GASKET	1	PC.
210			168620-7	METERING DIAPHRAGM	1	PC.
211			140438-8	AIR PURGE BODY	1	PC.
212			424314-7	PRIMER PUMP	1	PC.
213			346270-0	PRIMER PUMP COVER	1	PC.
214			266582-4	TAPPING SCREW 3X24	4	PC.
215			810455-9	CAUTION PLATE	1	PC.
216			800F73-7	INDICATION LABEL	1	PC.
217			941151-9	FLAT WASHER 6	1	PC.
218			443170-6	FELT	1	PC.
222			808723-2	CAUTION LABEL	1	PC.
223			266427-6	TAPPING SCREW 4X12	1	PC.
224			452219-1	CHOKE PLATE	1	PC.
231			452220-6	CHOKE LEVER	1	PC.
232			266007-8	TAPPING SCREW BIND PT 3X10	1	PC.
233			352020-3	SEPARATOR MESH	1	PC.
234			453865-3	SEPARATOR CASE	1	PC.
235			453862-9	OIL CASE PLATE	1	PC.
236			346732-8	PLATE	1	PC.
237	2		266927-6	TORX SOCKET HEAD BOLT M4X20	1	PC.
238			442199-9	GASKET	1	PC.
239			931102-0	HEX. NUT M4	1	PC.
240	2		346730-2	HOLDER, ANGLE 100 DEGREE	1	PC.
251			266817-3	H.S. BUTTON HEAD BOLT M6X85	1	PC.
252			232279-7	CONED DISC SPRING 6	1	PC.
253			941151-9	FLAT WASHER 6	1	PC.
254			266818-1	HEX. SOCKET HEX. BOLT M8X8	1	PC.
255			318969-7	JOINT	1	PC.

Item No	Type	Sub	Part No	Description	Qty	Unit
256			227604-5	SPIRAL BEVEL GEAR 9	1	PC.
257			211032-4	BALL BEARING 608ZZ	1	PC.
258			211032-4	BALL BEARING 608ZZ	1	PC.
259			962102-9	RETAINING RING R-22	1	PC.
260			310534-8	CAM A	1	PC.
261			310535-6	CAM B	1	PC.
262			922126-7	HEX. SOCKET HEAD BOLT M4X16	2	PC.
263			313254-3	HOLDER PLATE	1	PC.
264			961011-9	STOP RING E-4	2	PC.
265			346657-6	SLIDE PLATE	1	PC.
266			231297-2	COMPRESSION SPRING 9	1	PC.
267			962103-7	RETAINING RING R-24	1	PC.
268			961005-4	RETAINING RING S-9	1	PC.
269			210049-4	BALL BEARING 609ZZ	1	PC.
270			142000-5	SPINDLE COMPLETE	1	PC.
271	2		326812-6	ROD 5	2	PC.
272			233117-6	COMPRESSION SPRING 6	2	PC.
273			187575-7	SLIDE LEVER SET	1	SET
		INC.		Item. 280		
274			454249-8	COVER	1	PC.
275			265493-0	HEX. SOCKET HEAD BOLT M4X20	4	PC.
276			961011-9	STOP RING E-4	2	PC.
277			318970-2	PIPE HOLDER	1	PC.
278			922223-9	H.S.H.BOLT M5X16 WITH WR	1	PC.
279			922241-7	HEX. SOCKET HEAD BOLT M5X25	1	PC.
281			265995-6	TAPPING SCREW 4X18	2	PC.
282	1		454248-0	* GRIP	1	PC.
	2		456369-4	* GRIP	1	PC.
283	2		911516-9	* PAN HEAD SCREW M4X12	2	PC.
284			252190-7	HEX.LOCK NUT M6-10	1	PC.
285			266818-1	HEX. SOCKET HEX. BOLT M8X8	1	PC.
286			267467-7	FLAT WASHER 36	1	PC.
287			922126-7	HEX. SOCKET HEAD BOLT M4X16	2	PC.
288			961006-2	RETAINING RING S-10	1	PC.
289			227605-3	SPIRAL BEVEL GEAR 22	1	PC.
290			310533-0	ANGLAR PLATE	1	PC.
291			211148-5	BALL BEARING 6001ZZ	1	PC.
292			211148-5	BALL BEARING 6001ZZ	1	PC.
293			227606-1	SPIRAL BEVEL GEAR 11	1	PC.
294	1		142018-6	* GEAR HOUSING COMPLETE	1	PC.
	2		143500-8	* GEAR HOUSING COMPLETE	1	PC.
295			227607-9	SPIRAL BEVEL GEAR 12	1	PC.
296			211062-5	BALL BEARING 6000ZZ	1	PC.
297			211062-5	BALL BEARING 6000ZZ	1	PC.
298			962105-3	RETAINING RING R-26	1	PC.
299			227317-8	SPUR GEAR 24	1	PC.
300			961004-6	RETAINING RING S-8	1	PC.
301			346658-4	PLATE	1	PC.
302			346251-4	CONNECTING ROD	1	PC.
303			227248-1	SPUR GEAR 43	1	PC.
304			346251-4	CONNECTING ROD	1	PC.
305			346256-4	HOLDER	1	PC.
306			922241-7	HEX. SOCKET HEAD BOLT M5X25	2	PC.

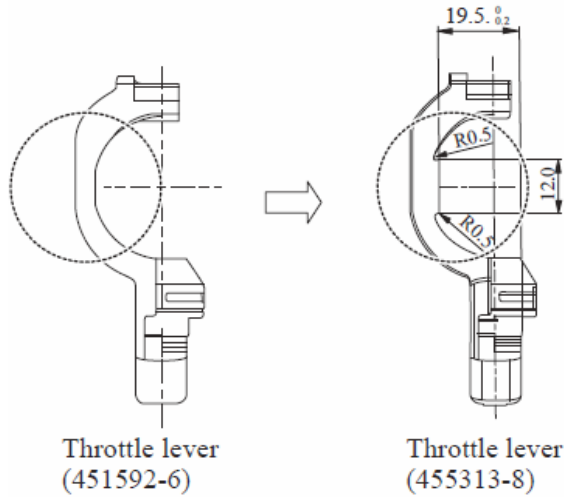
Item No	Type	Sub	Part No	Description	Qty	Unit
307			443159-4	SEAL	1	PC.
308			346658-4	PLATE	1	PC.
309			423458-0	GASKET	1	PC.
310			318968-9	UNDER COVER	1	PC.
311			922126-7	HEX. SOCKET HEAD BOLT M4X16	6	PC.
312			332058-4	GUIDE BAR	1	PC.
313			264089-4	HEX LOCK NUT M6-10	4	PC.
314			346665-7	PLATE	1	PC.
316			313211-1	SLEEVE 5	2	PC.
318			346665-7	PLATE	1	PC.
319			266824-6	H.S. BUTTON HEAD BOLT M6X20	4	PC.
<u>ACCESSORIES</u>			- See Catalogue or visit www.makita.ca for more accessories -			
A01			125516-5	BAND ASSEMBLY (added)	1	PC.
A02	4		197007-6	OIL SET (4 STROKE ENGINE OIL 80CC) - N/A as repair part	1	PC.
A03			195626-2	LOOP HANDLE SET	1	PC.
		INC.	195626-2	CLAMP 33	1	PC.
		INC.	452843-0	CLAMP COVER B	1	PC.
		INC.	922243-3	HEX. SOCKET HEAD BOLT M5X25	2	PC.
	1	INC.	346467-1	CLAMP 24 TYPE 1	1	PC.
	2	INC.	347094-7	CLAMP 24 TYPE 2	1	PC.
A04			782233-6	BOX DRIVER 10-16	1	PC.
A05			783223-2	WRENCH 4	1	PC.
A06			452328-6	BLADE COVER	1	PC.
A07			831304-7	ACCESSORY BAG	1	PC.
A08			168534-0	SPARK PLUG (CMR4A)	1	PC.
A09			444023-2	STARTER ROPE	1	PC.
A10			725187-4	SHEAR BLADE	2	PC.
A11			196263-5	END COVER SET	1	PC.
A12			197680-2	ENGINE MAINTENANCE KIT F/EH026	1	PC.
		INC.		Item No.62, 63, 177, A8		

SERVICE CHANGES

1. Changes on Throttle lever

(TI#A2941)

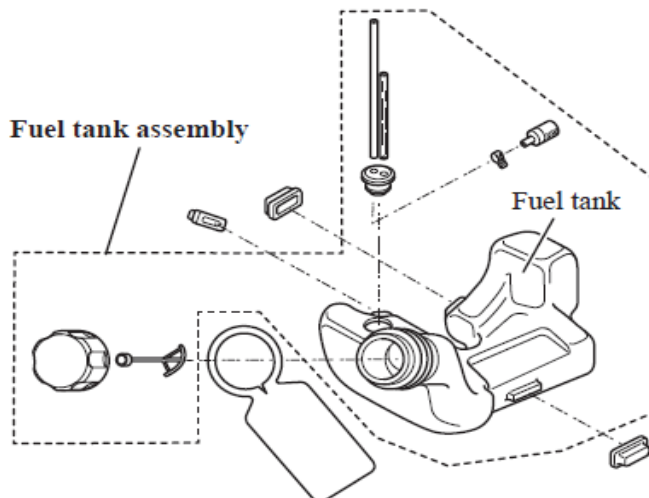
Item No.	Description	Type 1	Type 2
50	Throttle lever	451592-6	455313-8



2. Changes on Fuel Tank

(TI#A7689)

Item No.	Description	Type 1	Type 2
178	Fuel Tank >> Fuel Tank Assembly	454010-3	123419-7
Inc.		-----	Item No. 173, 175-177



3. Changes on Gear housing complete, Grip, M4x16 Hex socket head bolt

(TI#A9070)

Item No.	Description	Type 1	Type 2
282	GRIP	454248-0	456369-4
283	HEX. SOCKET HEAD BOLT M4X16 >>> PAN HEAD SCREW M4X12	922128-3	911516-9
294	GEAR HOUSING COMPLETE	142018-6	143500-8

Above parts are completely interchangeable as a set.

4. Changes on Old Tube

(TI#Y07151)

Item No.	Description	Type 1	Type 2
166	HOSE CLAMP	282020-8	Included in 125805-8
167	OIL WEIGHT	325666-8	Included in 125805-8
168	OIL TUBE ASSEMBLY	-----	125805-8
	OIL TUBE	424301-6	Included in 125805-8

5. Changes on Cleaner Cover and Cleaner Plate

(TI#YB1277)

Item No.	Description	Type 1	Type 2
60	CLEANER COVER ASSEMBLY	126202-1	123499-3
65	CLEANER PLATE ASSEMBLY	126198-6	123501-2

Cleaner plate assembly

The thickness of tabs is increased from 2mm to 4mm.

Cleaner cover assembly

These square holes are changed

